

## Surge arrester

3-Electrode arrester

**Series/Type: DG3R420M**

**Customer:**

**Version/Date: Issue 01/2015-06-19**

**Surge arrester**

**3-Electrode arrester**

**DG3R420M**

Features	Applications
<ul style="list-style-type: none"> <li>● Extremely small size</li> <li>● Extremely fast response time</li> <li>● Excellent SMD handling</li> <li>● Stable performance over life</li> <li>● Very low capacitance</li> <li>● High insulation resistance</li> <li>● RoHS-compatible</li> <li>● UL-identification, No:E311500</li> </ul>	<ul style="list-style-type: none"> <li>● Splitter</li> <li>● PCI Cards</li> <li>● Morden</li> <li>● Line cards</li> </ul>

**Electrical specifications**

DC breakdown voltage <sup>2) 3)</sup>	420	V
—Circuit current less than 2mA	357...525	V
Impulse breakdown voltage <sup>1)</sup>		
at 1kv/us      -Typical values of distribution	≤ 900	V
Insulation resistance at DC 100V	≥ 1	GΩ
Capacitance at 1MHz <sup>2)</sup>	≤ 1	Pf
Service life <sup>2)</sup>		
10 operations      8/20us	5	KA
10 operations      50Hz,1S	5	A
300 operations      10/1000us	100	A
Weight	1	g
Storage and operations temperature	-40...+90	°C
Climatic category (GB/T 9043, IEC61643-1)	40/90/21	
Marking,Blue positive	<b>DG3R420M</b>	



Tel: +86-510-81707285

Fax: +86-510-81707277

www.jsdgme.com



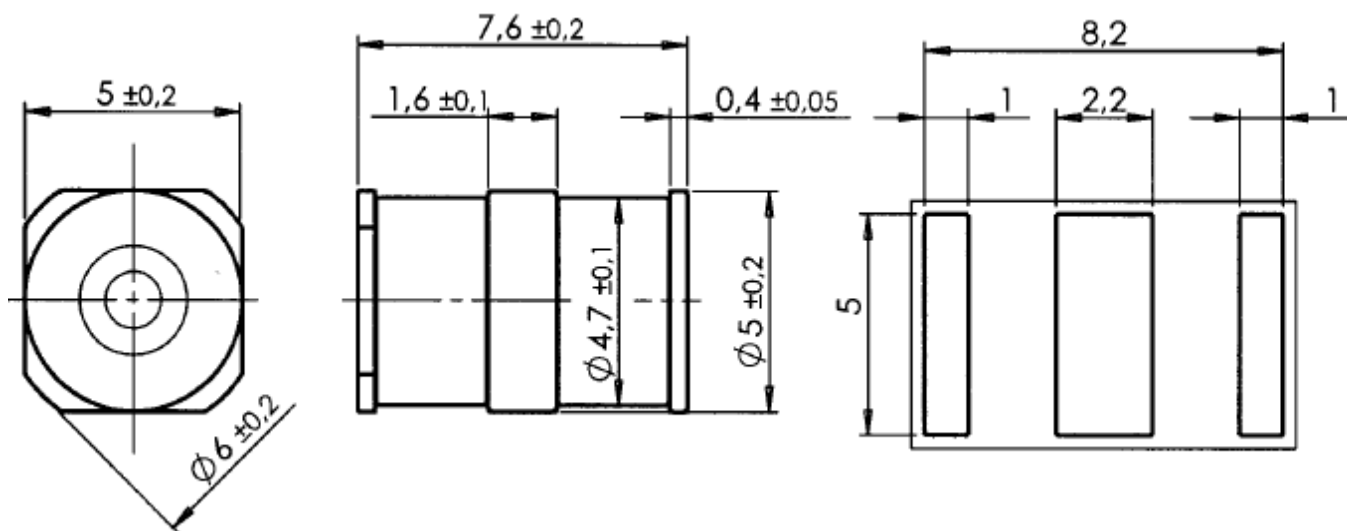
## Surge arrester

### 3-Electrode arrester

DG3R420M

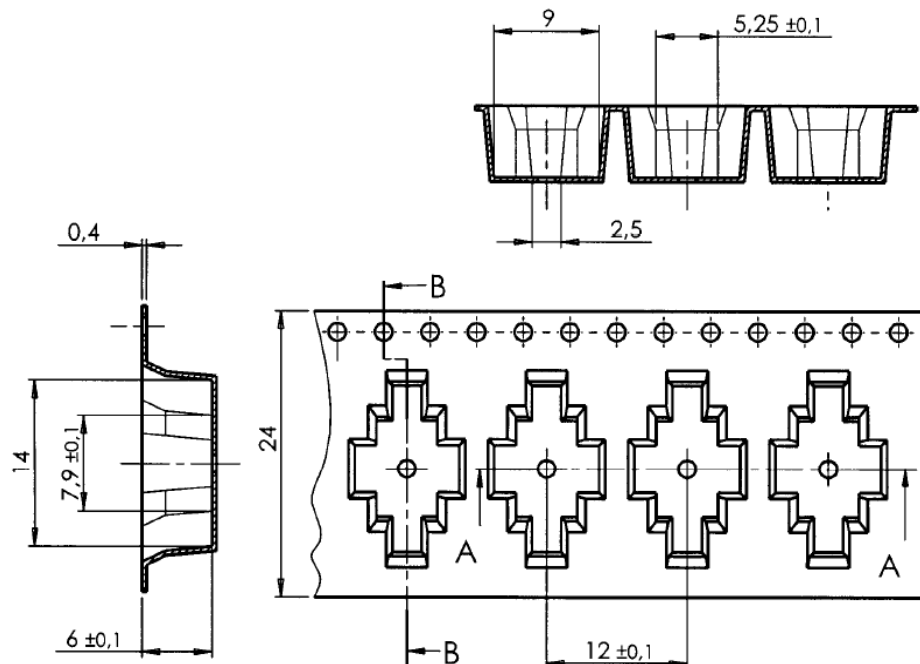
- 1) Sampling size in accordance to AQL(C=0)
- 2) DC spark-over voltage  $\pm 30\%$  after load
- 3) Tests according to ITU-T Rec. K. 12 and IEC61643-1

#### Dimensions



Tin-plated

#### Packaging



#### Cautions and warnings

- Surge arresters must not be operated directly in power supply networks
- Surge arresters may become hot in case of longer periods of current stress (danger of burning).
- If the contacts of the surge arrester are defective, current stress can lead to the formation of sparks and loud noises.
- Surge arresters may be used only within their specified values. In case of overload, the head contacts may fail or the component may be destroyed.
- Damaged surge arresters must not be re-used.

DC Elec.

Issue 01/2015-06-19

Please read Cautions and warnings and important notes at the end of this document.